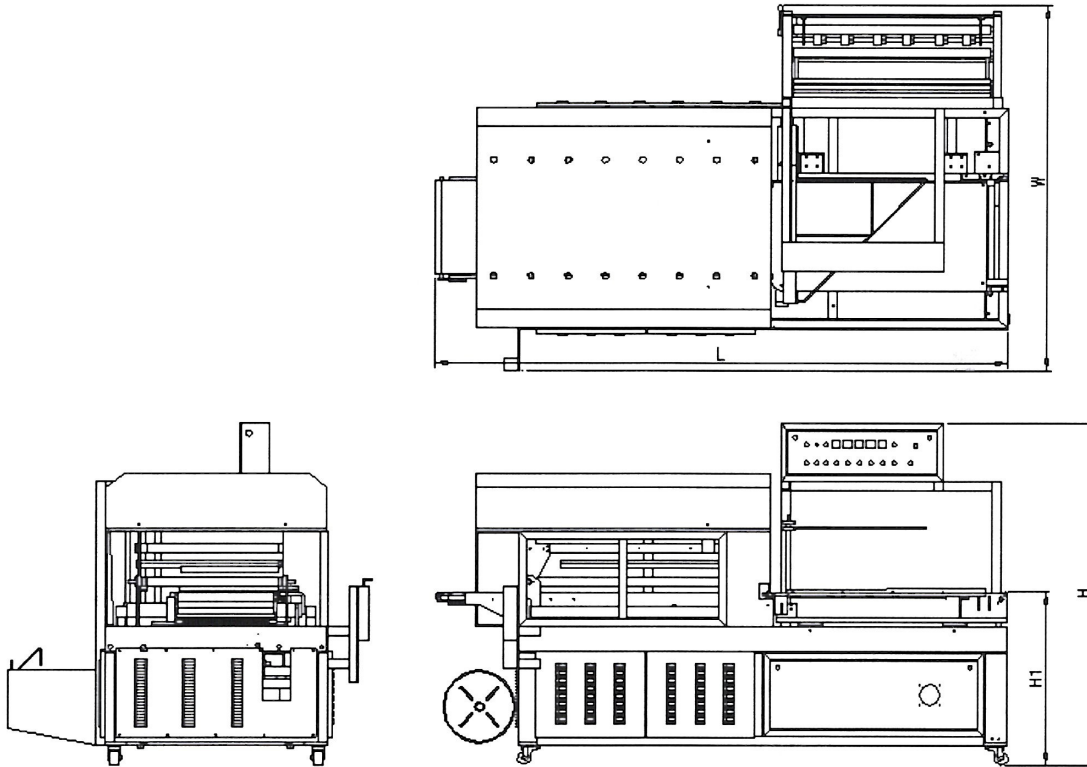


Manufacturer: Wraps UK Limited
 2 Nimrod Way
 Ferndown Industrial Estate
 Wimborne
 Dorset
 BH21 75H UK

Machine: Fully Automatic Shrink Wrap

2. MACHINERY SPECIFICATIONS



DRAWING 2.0

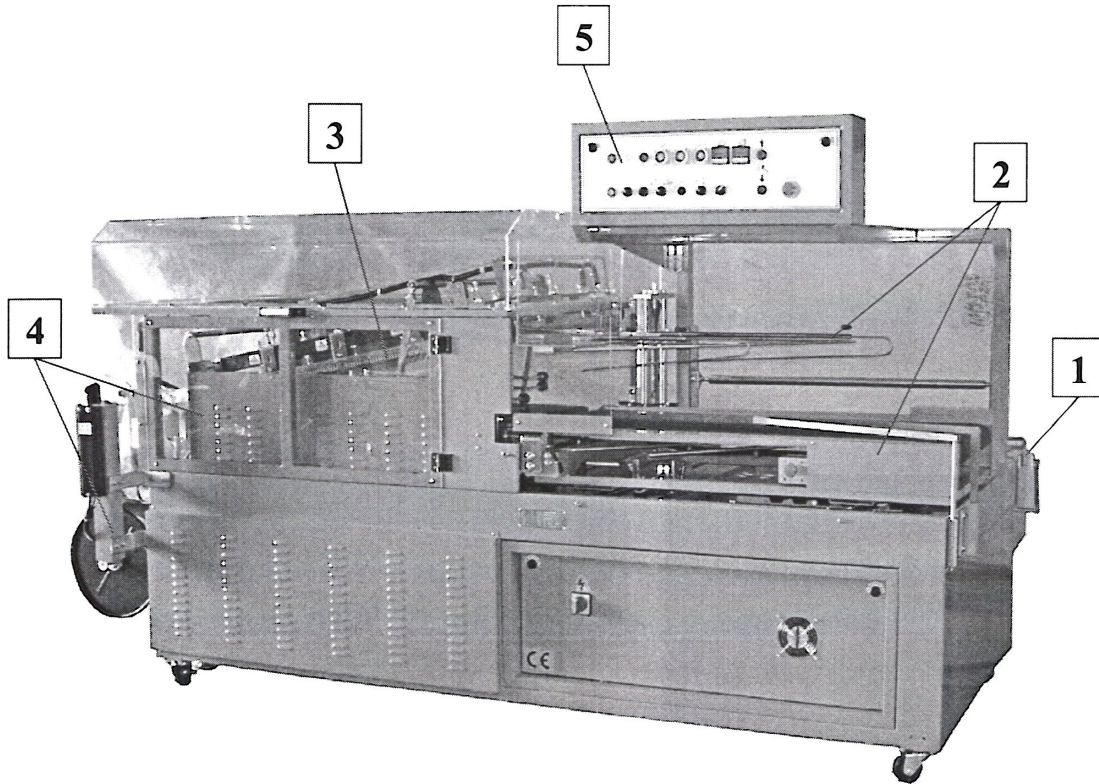
TABLE 2.0

TYPE	Lmm (in)	Wmm (in)	Hmm (in)	H₁mm (in)
W-701-300H CE	3020 (118.8)	1900 (74.8")	1770 (69.6")	900 (35.5")



8. PARTS LIST

Shown in the figure is the general drawing of W-701-300H CE
FILE NO:077026-01-00



NO	ASSEMBLY NAME	REFERENCE FILE NO
1	FILM UNWIND	077026-01-01
2	INFEED CONVEYOR AND FILM FORMING HEADS(UPPER&LOWER)	077026-01-02
3	OUTFEED CONVEYOR AND SEALING AREA	077026-01-03
4	FILM OUTFEED AREA	077026-01-04
5	CONTROL PANEL	077026-01-05

